

Exact12, 4xM12, 5-pole, moulded cable 5.0m PUR 8x0,5+3x1,0, UL/CSA

5-pole
PUR (UL/CSA), halogen free
5.0 m

Image



Vicarious picture

Contact layout			
Contact 1	(+)		
Contact 2	(NC)/(S2)		
Contact 3	(-)		
Contact 4	(NO)/(S1)		
Contact 5	(Earth)		
LED display	LED (green): power	LED (yellow): (S1)	LED (white): signal (S2)
Technical Data			
Operating voltage	24 V DC		
Operating current per contact	max. 4 A		
Protection	IP65, IP67		
Housing	Plastic, flame retardant		
Temperature range	-20...+70 °C, depending on cable quality		
Total current	max. 10 A		
Technical data M12 port			
Locking of ports	Screw thread M12 × 1 mm		
Cable			
No./diameter of wires	8×0.5 + 3×1.0 mm ²		
C-track properties	5 million		
Jacket	PUR (UL/CSA), halogen free		
Outer diameter	approx. 9.4 mm		
Bend radius (moving)	10 x outer diameter		
Temperature range (fixed)	-40...+90 °C		
Temperature range (mobile)	-40...+90 °C		

All data on this data sheet was compiled carefully.

Liability regarding correctness, completeness, and actuality is limited to gross negligence. Created: 03/14

Commercial data

Net weight	870
Weight unit	Gram
Basic unit	pc.
Customs tariff number	85444290
Unit (piece)	1
Minimum order quantity (piece)	1

Comments

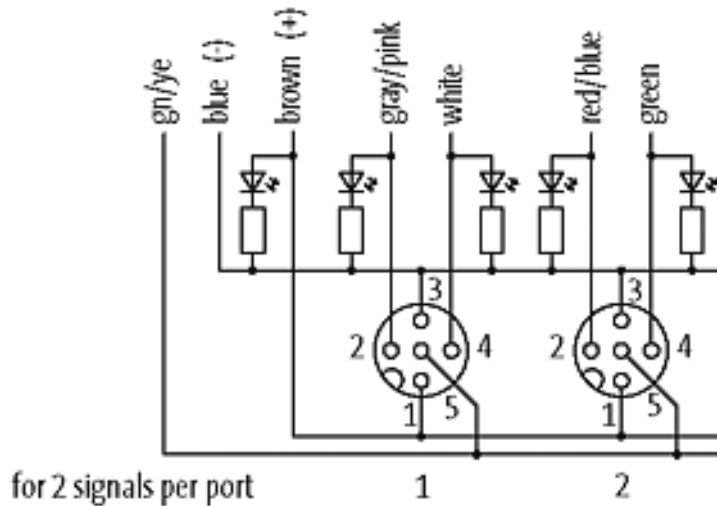
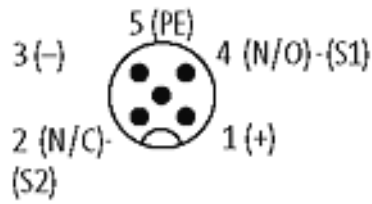
Further cable lengths on request.

Plastic housings with good resistance against chemicals and oils.

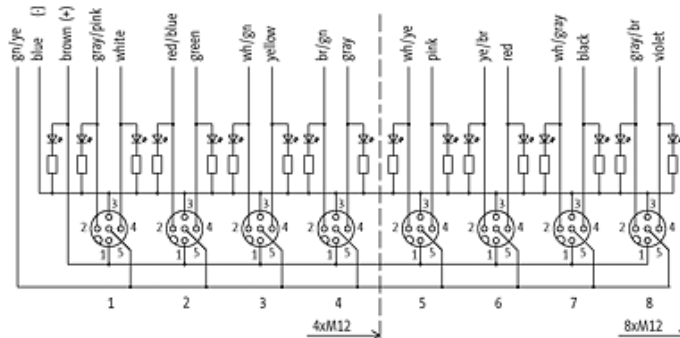
The resistance to aggressive media should be individually tested for your application. Further details on request.

Contact layout

M12-Females 5-pole



Circuit diagram



Dimension drawing

