

Exact12, 8xM12, 5-pole, moulded cable 5.0m PUR 16x0,5+3x1,0, UL/CSA

5-pole
PUR (UL/CSA), halogen free
5.0 m

Image



Vicarious picture

Contact layout

Contact 1	(+)
Contact 2	(NC)/(S2)
Contact 3	(-)
Contact 4	(NO)/(S1)
Contact 5	(Earth)
LED display	LED (green): power LED (yellow): (S1) LED (white): signal (S2)

Technical Data

Operating voltage	24 V DC
Operating current per contact	max. 4 A
Protection	IP65, IP67
Housing	Plastic, flame retardant
Temperature range	-20...+70 °C, depending on cable quality
Total current	max. 10 A

Technical data M12 port

Locking of ports	Screw thread M12 × 1 mm
------------------	-------------------------

Cable

Jacket	PUR (UL/CSA), halogen free
No./diameter of wires	16×0.5 + 3×1.0 mm ²
Outer diameter	approx. 11.5 mm
Bend radius (moving)	10 x outer diameter
Temperature range (fixed)	-40...+90 °C
Temperature range (mobile)	-40...+90 °C
C-track properties	5 million

All data on this data sheet was compiled carefully.

Liability regarding correctness, completeness, and actuality is limited to gross negligence. Created: 03/14

Commercial data

Net weight	1060
Weight unit	Gram
Basic unit	pc.
Customs tariff number	85444290
Unit (piece)	1
Minimum order quantity (piece)	1

Comments

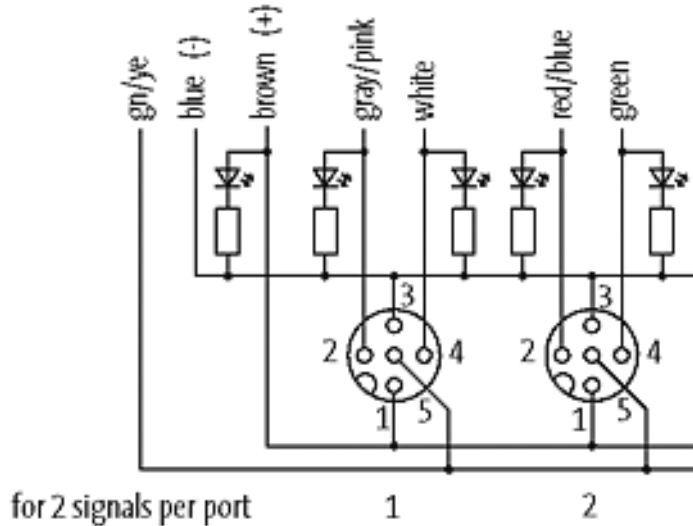
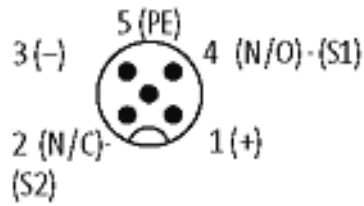
Further cable lengths on request.

Plastic housings with good resistance against chemicals and oils.

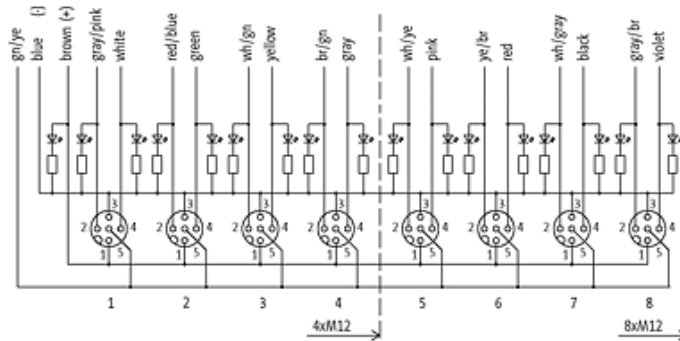
The resistance to aggressive media should be individually tested for your application. Further details on request.

Contact layout

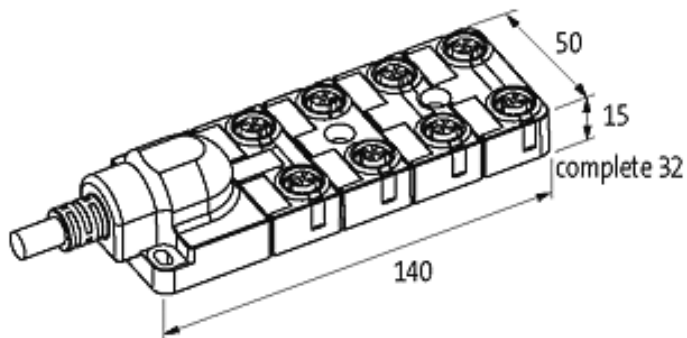
M12-Females 5-pole



Circuit diagram



Dimension drawing



De-rating curve