

**Modlink MSDD front panel interface frame modul single metallic, closure 3 mm double bit**

Mounting frame plastic PBT black  
 Lid plastic PBT gray  
 Closure: 3 mm double bit  
 with pluggable rotation knob

**Image**

Vicarious picture

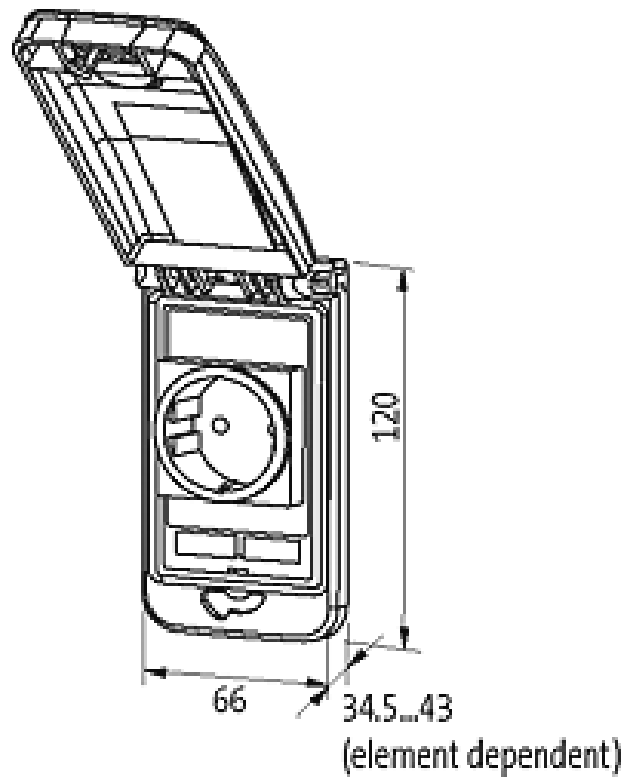
**General data**

Protection	IP65
Temperature range	-30...+70 °C (storage temperature -30...+80 °C)
Housing	Mounting frame plastic PBT black, cap plastic ABS metallic
suitable for mounting with wall thickness	1...5 mm

**Commercial data**

Net weight	87
Weight unit	Gram
Basic unit	pc.
Customs tariff number	85389099
Unit (piece)	1
Minimum order quantity (piece)	1

## Dimension drawing



## Control cabinet cut-out

