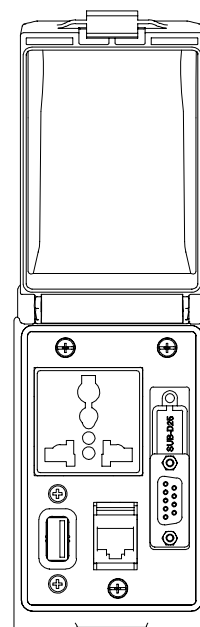


## Directions for use/使用指南:

The MSDD basic is suited for installation in front panels of control cabinets and is used for connecting service devices (PC, monitor, etc.). The socket-outlets are not protected against short-circuit or overload. The appropriate protection in accordance with EN 60950 must be guaranteed from the final user by providing security for the attached circuits. The circuits which are attached to the data and communication interfaces (D-Sub.Min., RJ45/45 etc.) must be in accordance with the requirements on SELV electric circuits (according to EN 60950; section 2,2), with the requirements on TNV electric circuits (according to EN 60950; section 2,3 (with consideration of section 2,1,1,1)) or with the requirements on electric circuits with current limiting (according to EN 60950; section 2,4).

MSDD Basic 产品适合于安装在控制柜的前面板并用于连接服务设备(PC, 显示器)。插座模块未提供短路或过载保护设备。在最终用户保证提供安全的附件电路的情况下, 产品根据EN60950可提供适当的保护。这些附加于数据通信接口(D-Sub.Min., PS2 mini DIN, VGA15, RJ45/45 etc.)的电路必须遵守SELV电路的要求(EN60950,2.2条款), TNV电路的要求(EN60950,2.3条款及参考2.1.1.1条款)或电路电流限制要求(EN60950,2.4条款)。



## Technical data/技术参数:

### Universal socket/通用插座


Nominal voltage/额定电压	: 250 V AC
Frequency for AC voltage/频率	: 50 / 60 Hz
Nominal current/额定电流	: 20 A
No. of poles/插孔数	: 2 + ground
Type of connection/连接方式	: screw/螺丝
Max. Cable diameter/最大电缆直径	: AWG 14 ... 13

### D-Sub according to EN 41652

Nominal voltage/额定电压	: 125 V AC / 150 V DC
Nominal current/额定电流	: 3 A
Frequency for AC voltage/频率	: 50 / 60 Hz
No. of poles/插孔数	: 9 pole female
Type of connection/连接方式	: soldering
Max. Cable diameter/最大电缆直径	: AWG 20
Attachment plug type/附件插头类型	: UNC 4-40

### RJ 45/45 female shielded

Transmission frequency/传输速率	: max. 100 Mbits/s
Data rate/数据速率	: specification Cat 5e
Nominal voltage/额定电压	: 48 V
Nominal current/额定电流	: 1 A
UL Rating/UL等级	: Rating 175 mA 42.4 V Use Class 2 Source Only
Frequency for AC voltage/频率	: 50 / 60 Hz
No. of poles/插孔数	: 8 pole female
Type of connection/连接方式	: connector can be plugged in from both sides
Attachment plug type/附件连接方式	: snap-in locking

				Date	Name	<b>Datasheet</b> <i>MSDD basic single with screw fixing</i> <b>Universal + SUB-D9 + USB+RJ45</b>
			Dwn.	08.11.11	LBC	
			Chk.			
			Sup.			
						Art.No.: 4000-68713-8080001 Blatt 1
a	First edition	08.11.11	LBC			
Index	Revision	Date	Name			

**USB female/female/USB 母头/母头**

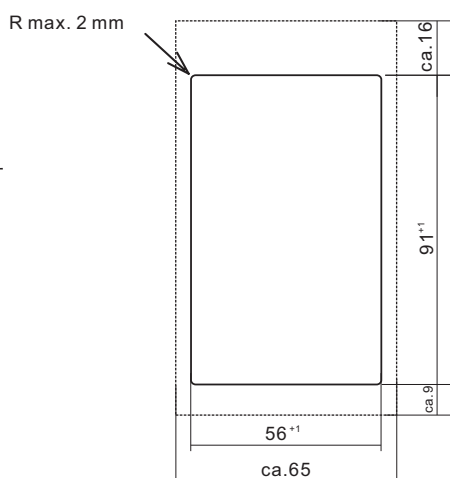
Transmission frequency/传输频率	: max. 480 Mbits/s
Data rate/数据速率	: USB specification 1.1 unreserved USB specification 2.0 Typ 2 dB
Nominal voltage/额定电压	: max. 30 V
Nominal current/额定电流	: max. 1 A
UL Rating/UL等级	: Rating 175 mA 42.4 V Use Class 2 Source Only
No. of poles/插孔数	: 4 pole female/female

**Other information/其它信息:**

Housing frame and cover/材质	: Plastic PC+ABS
Degree of protection/防尘防水等级	: IP 54
Ambient temperature/环境温度	: -5°C...+55°C
Storing temperature/储存温度	: -20°C...+60°C
Wall cut-out/切孔尺寸	

**Attention/注意事项:**

Wall cut-out not symmetrical  
to the outside edge  
切孔尺寸并不对称于产品边缘尺寸



Material thickness= 1.5 ~ 3.5 mm  
推荐材质厚度=1.5~3.5 mm

Dimensions (W × H × D)/尺寸(宽×高×深)	: 65 × 116 × 53 mm
Weight/重量	: 132 g
Approval/确认	: N/A

				Date	Name	<b>Datasheet</b> <i>MSDD basic single with screw fixing</i> <b>Universal + SUB-D9 + USB+RJ45</b>
			Dwn.	08.11.11	LBC	
			Chk.			
			Sup.			
						Art.No.: 4000-68713-8080001 Blatt 2
a	First edition	08.11.11	LBC			
Index	Revision	Date	Name			2 Bl.